

3.8V-40V V_{IN} , 3.5A, High Efficiency Synchronous Step-down DCDC Converter with Internal Compensation

•
•

•

•

•

•

•

•

•

•

•

•

•

•

•

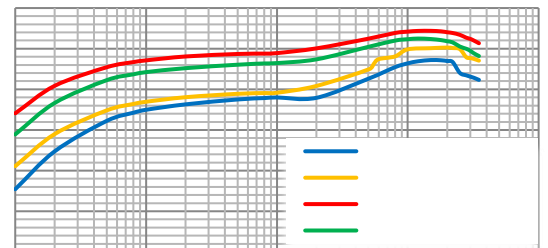
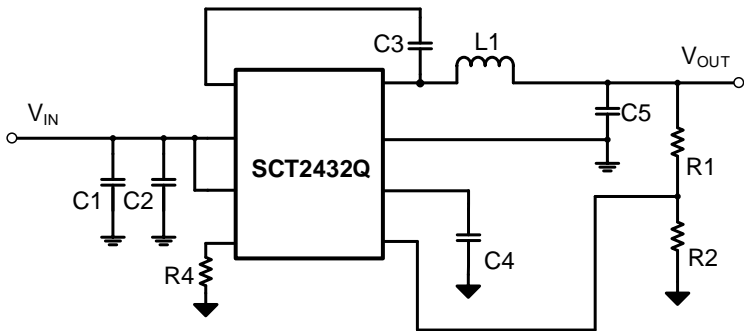
•

•

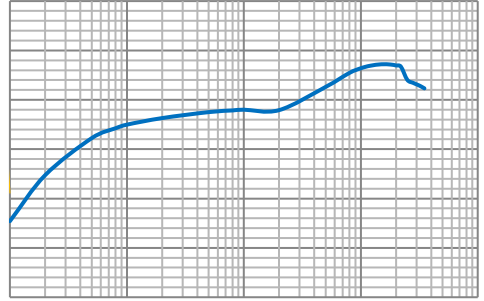
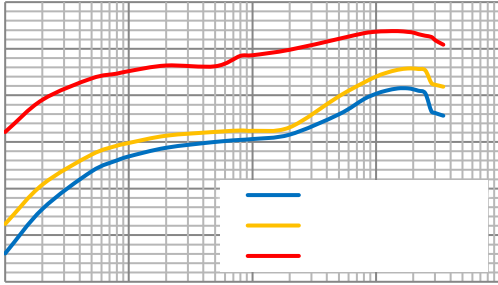
•

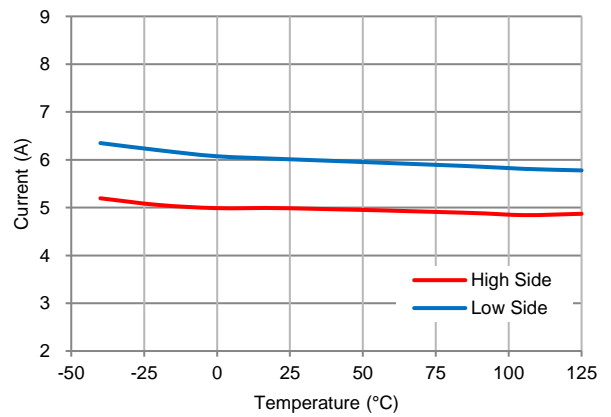
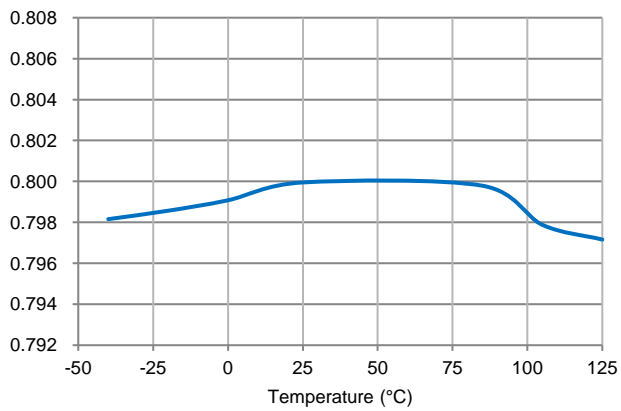
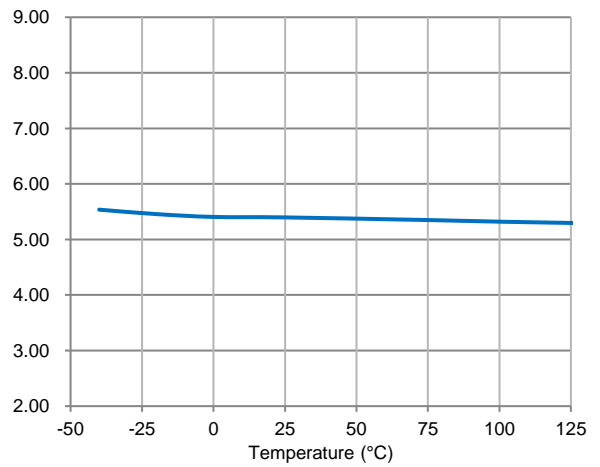
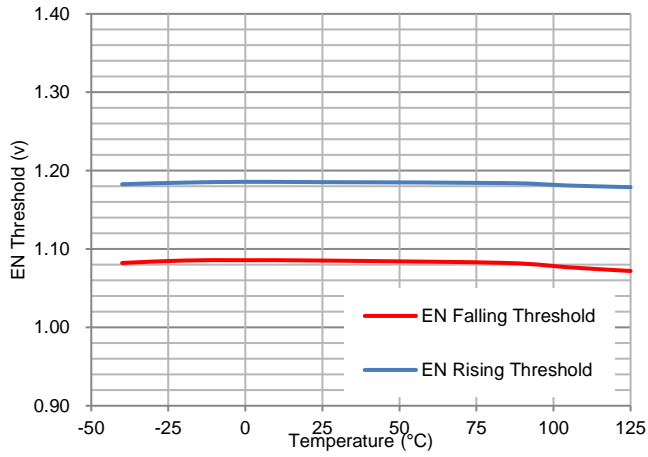
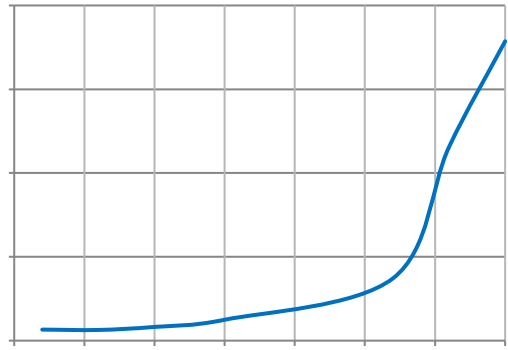
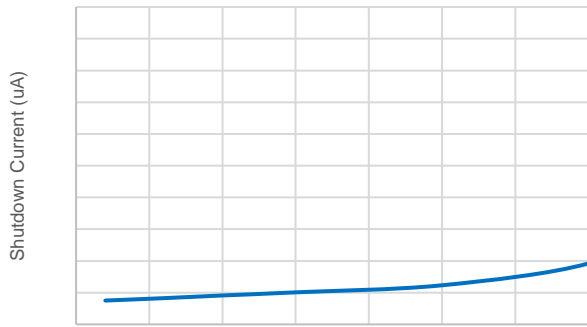
•

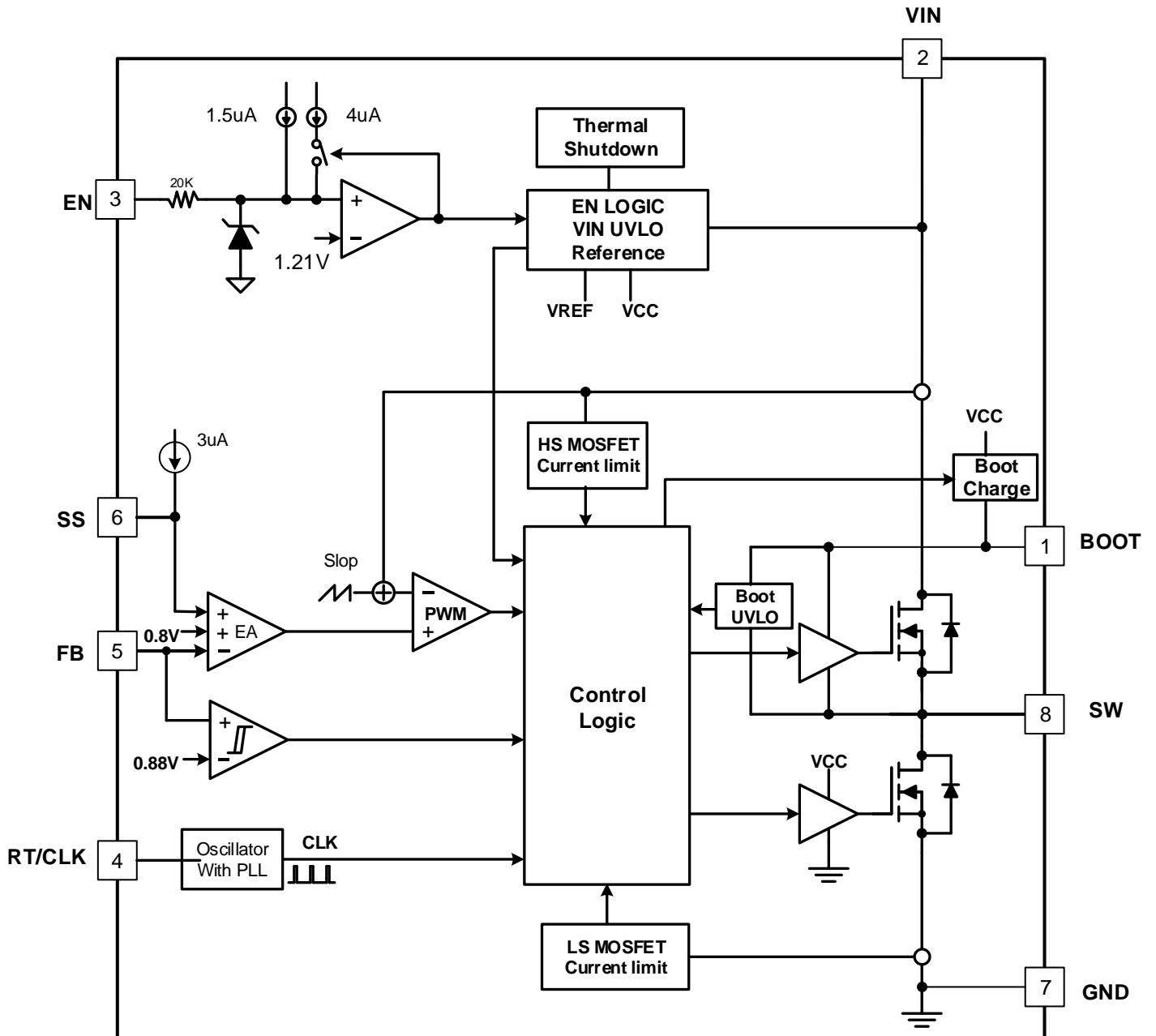
•

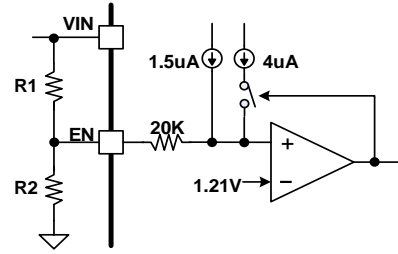


1)		







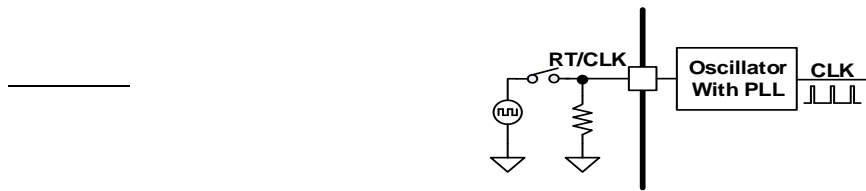


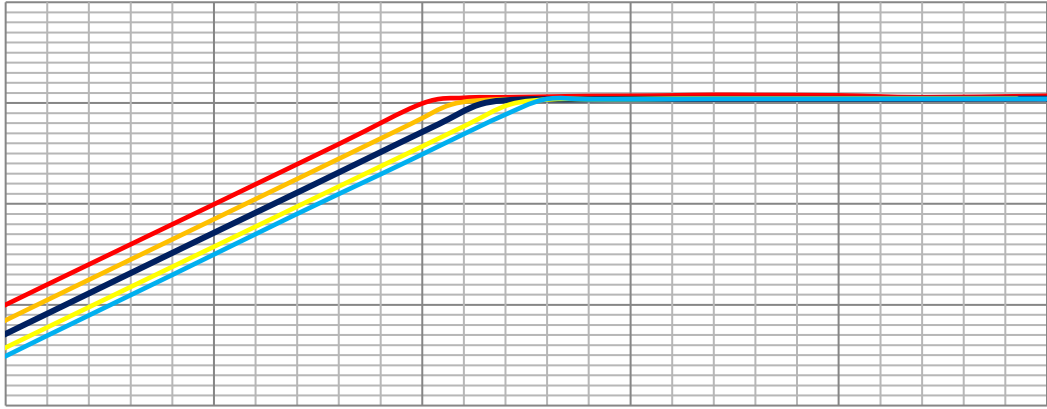
•
•

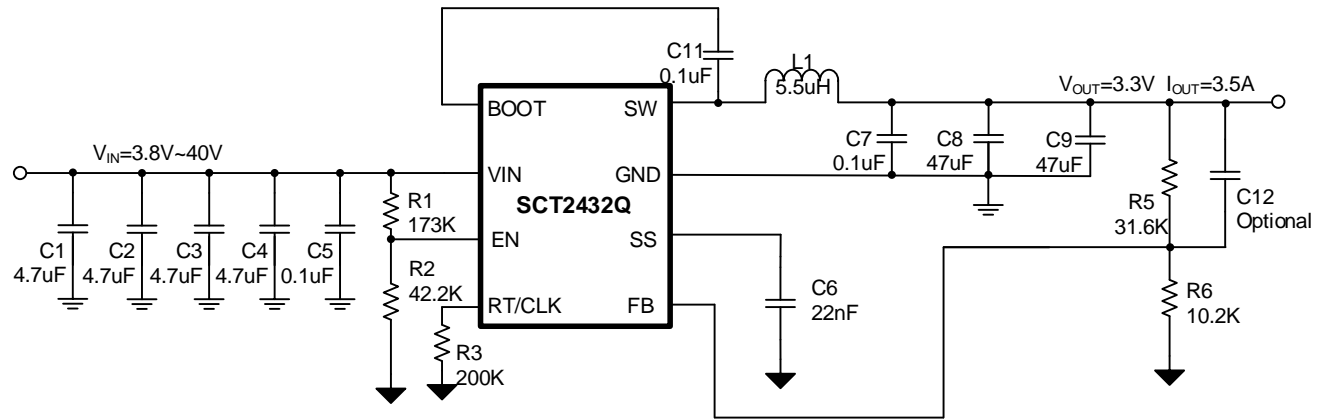
±

•
•

•
•







—

•

—

•

—

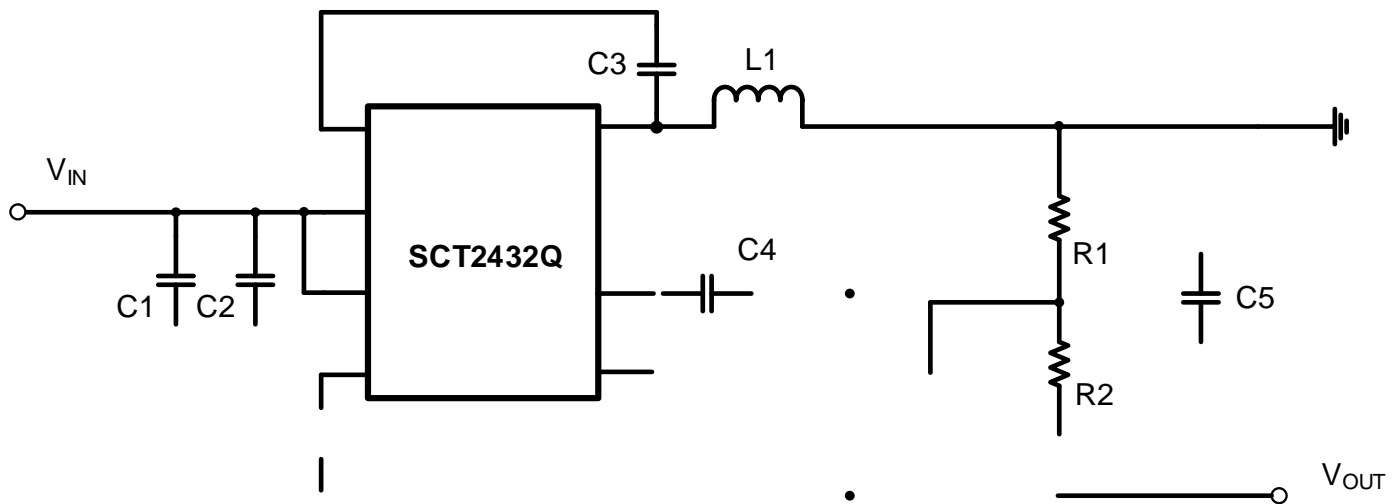
—

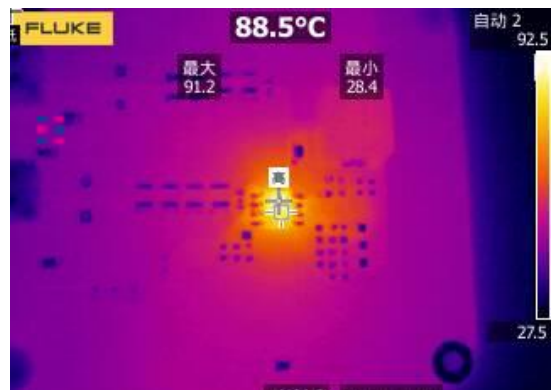
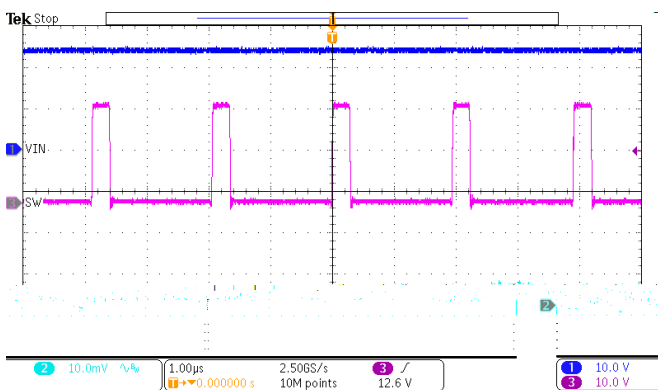
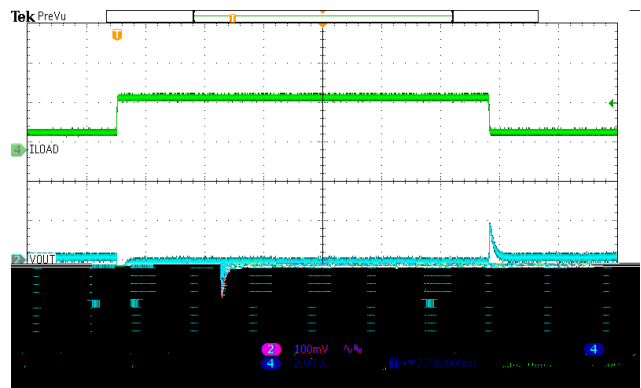
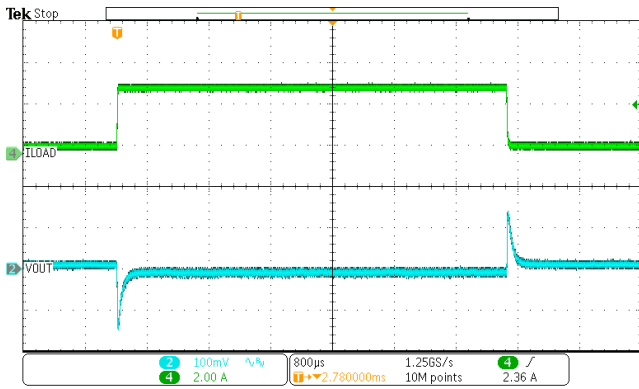
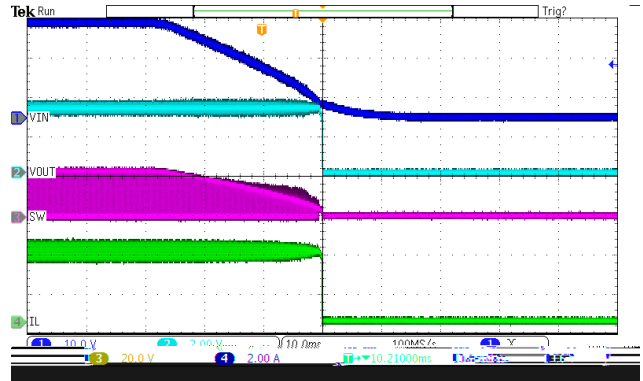
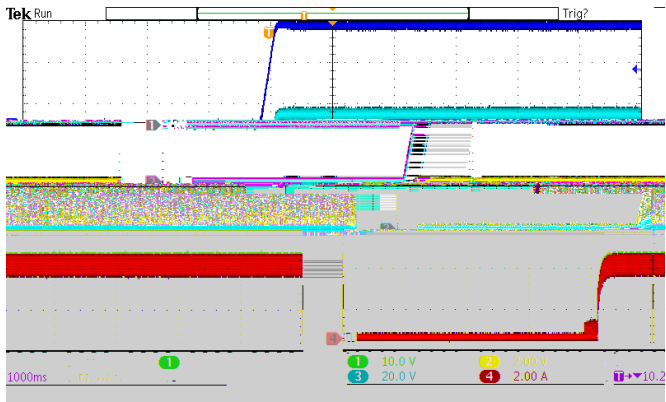
-
-
-
-
-

-
-
-
-
-
-

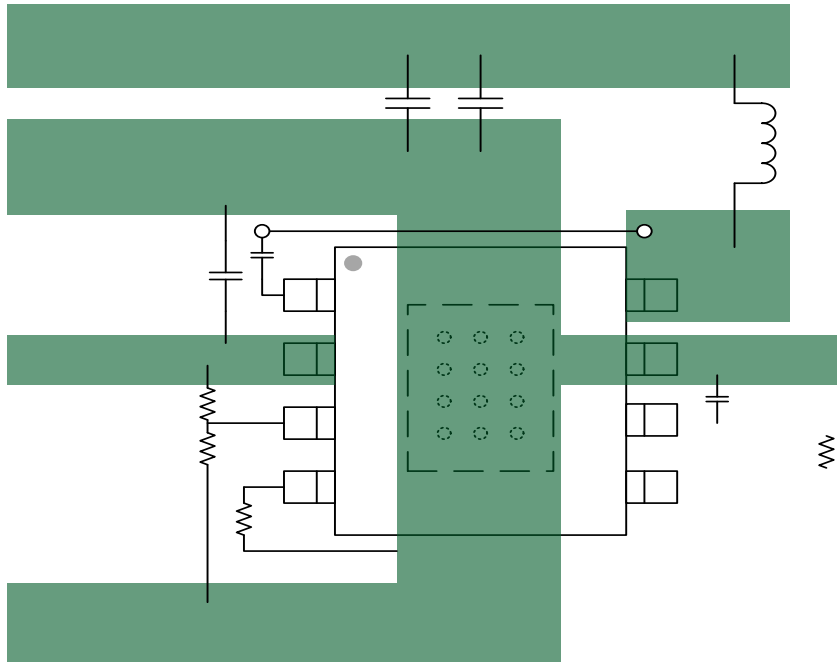
-
-
-
-

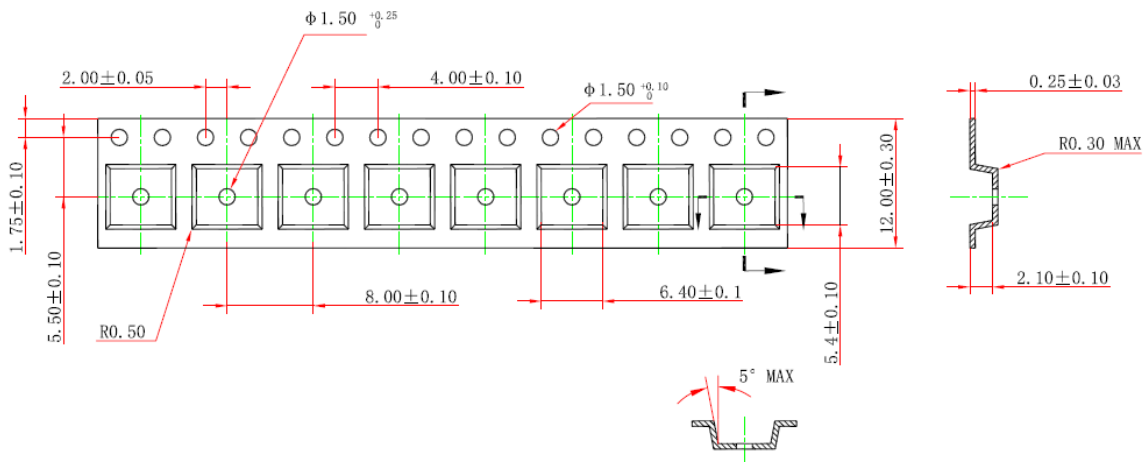
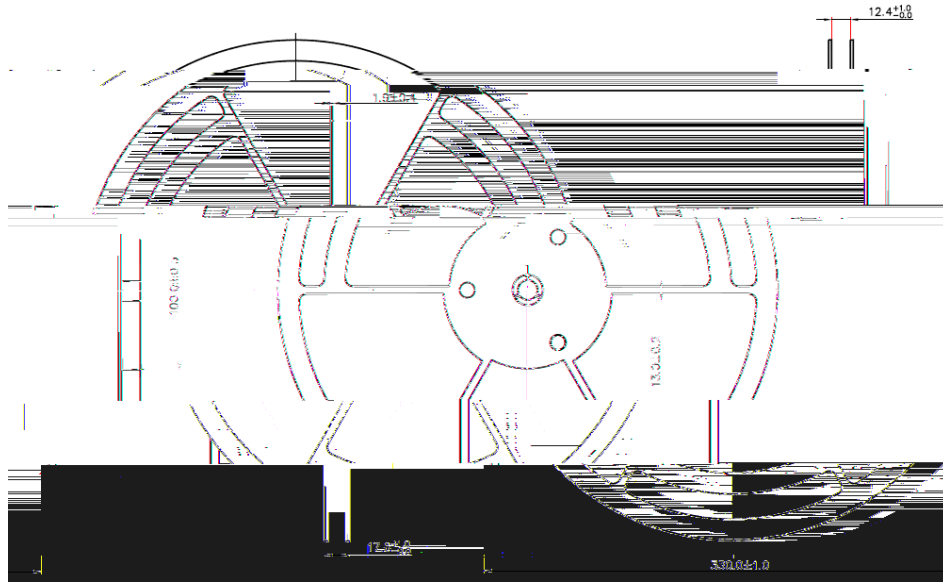
-
- -
 -
 -
 -





-
- 1.
 - 2.
 - 3.
 - 4.
 - 5.
 - 6.
 - 7.
 - 8.
 - 9.
 - 10.





QUADRANT ASSIGNMENTS FOR PIN 1 ORIENTATION IN TAPE

